

TCH 20 E / TCH 22 E

EN

OPERATING MANUAL
CONVECTOR



EN This product is only suitable for well insulated spaces or occasional use.

 TROTEC

Table of contents

Notes regarding the operating manual..... 1

Safety 1

Information about the device..... 4

Transport and storage..... 4

Assembly and installation..... 4

Operation 6

Errors and faults..... 7

Maintenance 8

Technical annex..... 8

Disposal 10

Notes regarding the operating manual

Symbols



Warning of electrical voltage

This symbol indicates dangers to the life and health of persons due to electrical voltage.



Warning of hot surface

This symbol indicates dangers to the life and health of persons due to hot surface.



Warning

This signal word indicates a hazard with an average risk level which, if not avoided, can result in serious injury or death.



Caution

This signal word indicates a hazard with a low risk level which, if not avoided, can result in minor or moderate injury.

Note

This signal word indicates important information (e.g. material damage), but does not indicate hazards.



Info

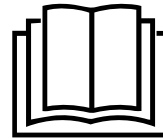
Information marked with this symbol helps you to carry out your tasks quickly and safely.



Follow the manual

Information marked with this symbol indicates that the operating manual must be observed.

You can download the current version of the operating manual and the EU declaration of conformity via the following link:



TCH 20 E



<https://hub.trotec.com/?id=41183>

TCH 22 E



<https://hub.trotec.com/?id=41184>

Safety

Read this manual carefully before starting or using the device. Always store the manual in the immediate vicinity of the device or its site of use!



Warning

Read all safety warnings and all instructions.

Failure to follow the warnings and instructions may result in electric shock, fire and / or serious injury.

Save all warnings and instructions for future reference.

This appliance can be used by children aged from 8 years and above and persons with reduced physical, sensory or mental capabilities or lack of experience and knowledge if they have been given supervision or instruction concerning use of the appliance in a safe way and understand the hazards involved.

Children shall not play with the appliance. Cleaning and user maintenance shall not be made by children without supervision.



Warning

Children of less than 3 years should be kept away unless continuously supervised.

Children aged from 3 years and less than 8 years shall only switch on/off the appliance provided that it has been placed or installed in its intended normal operating position and they have been given supervision or instruction concerning use of the appliance in a safe way and understand the hazards involved.

Children aged from 3 years and less than 8 years shall not plug in, regulate and clean the appliance or perform user maintenance.



Warning

Do not use the device in small rooms if persons are present who cannot leave the room independently and who are not under constant supervision.

- Do not use the device in potentially explosive rooms.
- Do not use the device in aggressive atmosphere.
- Set the device up in an upright and stable position.
- Let the device dry out after a wet clean. Do not operate it when wet.
- Do not use the device with wet or damp hands.
- Do not expose the device to directly squirting water.
- Never insert any objects or limbs into the device.
- Do not cover or transport the device during operation.
- Do not remove any safety signs, stickers or labels from the device. Keep all safety signs, stickers and labels in legible condition.
- Do not sit on the device.
- This appliance is not a toy! Keep away from children and animals. Do not leave the device unattended during operation.
- Check accessories and connection parts for possible damage prior to every use of the device. Do not use any defective devices or device parts.
- Ensure that all electric cables outside of the device are protected from damage (e.g. caused by animals). Never use the device if electric cables or the power connection are damaged!
- The electrical connection must correspond to the specifications in chapter Technical data.
- Insert the mains plug into a properly secured mains socket.
- Observe the device's power input, cable length and intended use when selecting extensions to the power cable. Completely unroll extension cables. Avoid electrical overload.
- Before carrying out maintenance, care or repair work on the device, remove the mains plug from the mains socket. Hold onto the mains plug while doing so.
- Switch the device off and disconnect the power cable from the mains socket when the device is not in use.
- Do not under any circumstances use the device if you detect damages on the mains plug or power cable. If the supply cord is damaged, it must be replaced by the manufacturer, its service agent or similarly qualified persons in order to avoid a hazard. Defective power cables pose a serious health risk.

- During the installation of the device observe the minimum distances from walls and other objects as well as the storage and operating conditions specified in the Technical data chapter.
- Do not use the device in immediate proximity to curtains.
- Ensure that the air inlet and outlet are not obstructed.
- Ensure that the side of the device where the air inlet is found is kept free of dirt and loose objects.
- Do not place the device on combustible ground.
- Allow the device to cool down before transport and / or maintenance work.
- Do not use this device near bathtubs, shower trays, swimming pools or other water containers. Risk of electric shock!
- The device must not be positioned directly beneath a wall socket.
- The device must be set up in a way that the switches and controllers cannot be touched by a person in a bathtub or shower.

Intended use

This product is only designed for use inside well insulated rooms or for occasional use.

Only use the device for heating closed rooms whilst adhering to the technical data.

Intended use comprises heating the air in:

- living spaces
- storerooms
- salesrooms
- construction areas
- containers
- basements

Improper use

- Do not place the device on wet or flooded ground.
- Do not place any objects, e.g. clothing, on the device.
- Do not use this device in the vicinity of fuel, solvents, varnishes or other easily inflammable vapours or in rooms where these substances are stored.
- Do not use the device outdoors.
- Do not use the device for heating vehicles.
- The device must not be used near swimming pools.
- Do not use this device in the immediate vicinity of sinks, bathtubs or other water containers. Never immerse the device in water.
- Any operation other than as described in this manual is prohibited. Non-observance renders all claims for liability and guarantee null and void.

- Any unauthorised modifications, such as alterations or structural changes to the device, are forbidden.


Personnel qualifications

People who use this device must:

- be aware of the dangers that occur when working with electric devices in damp areas.
- have read and understood the operating manual, especially the Safety chapter.

Maintenance tasks which require the housing to be opened must only be carried out by specialist electrical companies or by Trotec.

Symbols on the device

Symbols	Meaning
	This symbol located on the device indicates that it is prohibited to place objects (such as towels, clothes etc.) above or directly in front of the device. In order to avoid overheating and fire hazards, the heater must not be covered.

Residual risks



Warning of electrical voltage

Work on the electrical components must only be carried out by an authorised specialist company!



Warning of electrical voltage

Before any work on the device, remove the mains plug from the mains socket!
Hold onto the mains plug while pulling the power cable out of the mains socket.



Warning of hot surface

Some parts of this product can become very hot and cause burns. Particular attention has to be given where children and vulnerable people are present!



Warning

Improper handling entails a risk of burning and electric shock.
Only use the device as intended!



Warning

Dangers can occur at the device when it is used by untrained people in an unprofessional or improper way!
Observe the personnel qualifications!



Warning

The device is not a toy and does not belong in the hands of children.



Warning

Risk of suffocation!
Do not leave the packaging lying around. Children may use it as a dangerous toy.



Warning

Improper installation entails a risk of fire.
Do not place the device on combustible ground.
Do not place the device on high-pile carpets.



Warning

In order to avoid overheating and fire hazards, the heater must not be covered.

Behaviour in the event of an emergency

- Switch the device off.
- In an emergency, disconnect the device from the mains feed-in: Hold onto the mains plug while pulling the power cable out of the mains socket.
- Do not reconnect a defective device to the mains.

Overheating protection

The device is provided with a safety thermostat which is activated by overheating of the device:

- In such an event the device switches off automatically.
- The lamps of the flip switches for the heating levels go off.

When the safety thermostat is activated, allow the device to cool down. Only then start to look for the cause of overheating. Should the problem persist, please contact the customer service.

Information about the device

Device description

The convectors TCH 20 E / TCH 22 E serve to generate warm air in interior spaces.

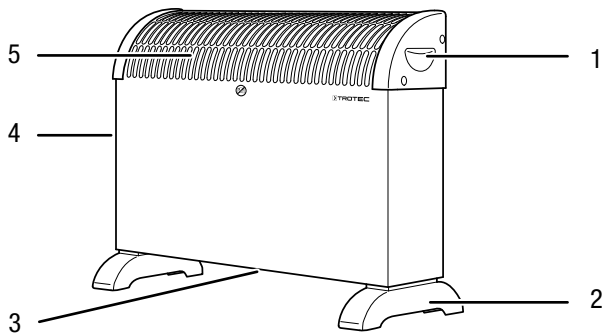
The device generates heat by means of an electric heating element. The air surrounding the heating element is heated. The heated air rises through the air outlet and thus enters the room.

The device comes with an integrated thermostat and so generates a constant flow of warm air.

The device TCH 22 E comes with an additional turbo function for a faster distribution of the heated air.

Furthermore, the device TCH 22 E is equipped with a timer allowing the operator to select the time for switch-on and switch-off.

Device depiction



No.	Designation
1	Carrying handle
2	Foot
3	Air inlet
4	Control panel
5	Air outlet

Transport and storage

Note

If you store or transport the device improperly, the device may be damaged.

Note the information regarding transport and storage of the device.

Transport

To make the device easier to transport, it is fitted with a carry handle.

Before transporting the device, observe the following:

- Switch the device off.
- Hold onto the mains plug while pulling the power cable out of the mains socket.
- Do not use the power cable to drag the device.
- Allow the device to cool down sufficiently.

Storage

Before storing the device, observe the following:

- Allow the device to cool down sufficiently.

When the device is not being used, observe the following storage conditions:

- dry and protected from frost and heat
- in an upright position where it is protected from dust and direct sunlight
- with a cover to protect it from invasive dust if necessary
- Place no further devices or objects on top of the device to prevent it from being damaged.

Assembly and installation

Scope of delivery

- 1 x Convector
- 2 x Foot
- 4 x Fastening screw
- 1 x Manual

Unpacking the device

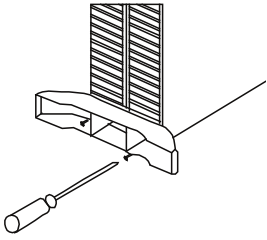
1. Open the cardboard box and take the device out.
2. Completely remove the packaging.
3. Fully unwind the power cable. Make sure that the power cable is not damaged and that you do not damage it during unwinding.

Assembly

Mounting the feet

Mount the feet before positioning the device.

1. Place the device on its side.



2. Fasten each foot with two screws.



Info

The device offers the possibility of wall mounting. The holes for wall mounting are situated on the rear of the device. The accessories for wall mounting are not included in the scope of delivery.

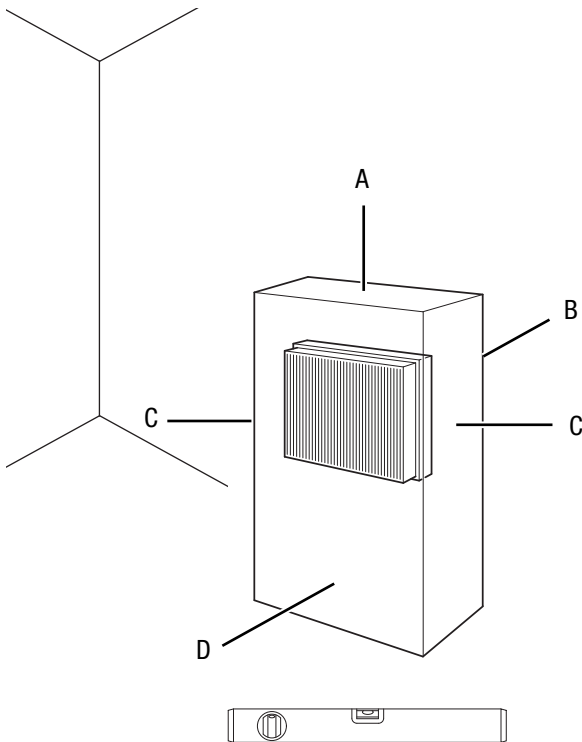
Start-up



Info

Odours might arise upon initial start-up or after a longer period of non-use.

When positioning the device, observe the minimum distance from walls or other objects as described in the Technical data chapter.



- Set the device up in an upright and stable position or suspend the device horizontally.
- Do not create tripping hazards when laying the power cable or other electric cables, especially when positioning the device in the middle of the room. Use cable bridges.
- Make sure that extension cables are completely unrolled.
- Make sure that no curtains or other objects interfere with the air flow.
- Do not position the device directly below a wall socket.
- Make sure that the device cannot come into contact with moisture or water.

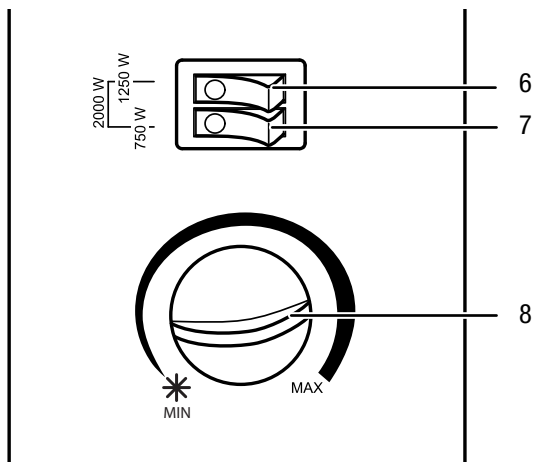
Connecting the power cable

- Insert the mains plug into a properly secured mains socket.
- Make sure that the power cable is guided along the back of the device. Never guide the power cable along the front of the device!

- Before restarting the device, check the condition of the power cable. If there are doubts as to the sound condition, contact the customer service.

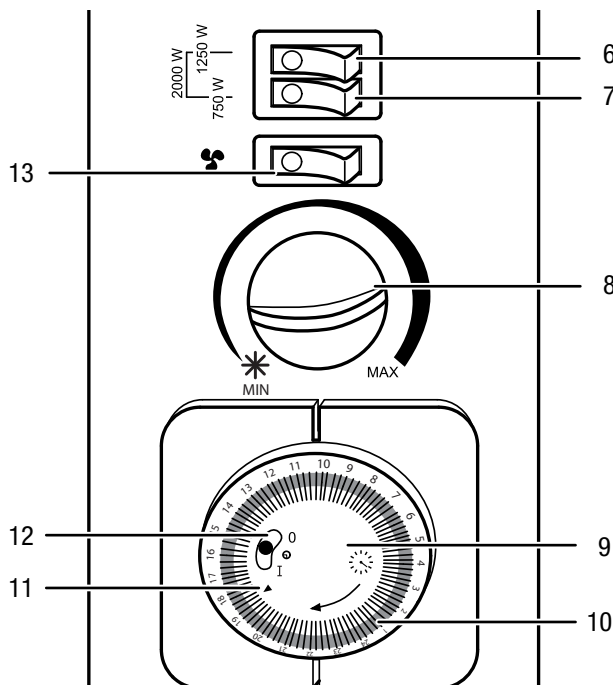
Operation

Operating elements TCH 20 E



No.	Designation
6	flip switch heating levels 1250 W (together with flip switch 7 = 2000 W)
7	flip switch heating levels 750 W (together with flip switch 6 = 2000 W)
8	rotary switch room thermostat

Operating elements TCH 22 E



No.	Designation
6	flip switch heating levels 1250 W (together with flip switch 7 = 2000 W)
7	flip switch heating levels 750 W (together with flip switch 6 = 2000 W)
8	rotary switch room thermostat

No.	Designation
9	timer
10	timer segments
11	timer indicator
12	timer control
13	flip switch turbo blowers

Switching the device on

1. Plug the device into a sufficiently fused socket.
2. Set the flip switch (6, 7) to **On** to select the desired heating capacity.
You can actuate one flip switch for a capacity of 750 W (7) or 1250 W (6), or both flip switches for the maximum capacity of 2000 W.
⇒ The lamp at the respective flip switch lights up.
3. When using the optional timer:
Set the timer control (12) to **I**.

Setting the room thermostat

1. Select the desired temperature via the stepless rotary switch (8) of the room thermostat.
⇒ If the room thermostat is switched on, the lamps of the activated heating levels will light up.

The room thermostat controls the room temperature automatically:

- When the set value is exceeded, the heating switches off.
- When the set value is fallen below, the heating automatically switches back on.

Frost monitor function:

- Turn the thermostat to the * marking (snowflake). In this position, the room thermostat switches on the heating automatically if the room temperature drops below the frost protection temperature.

Switching on the turbo blowers (TCH 22 E only)

1. Set the flip switch for the fan (13) to **On**.
⇒ The lamp at the flip switch lights up.
⇒ The fan starts running if the room thermostat is switched on.
⇒ To distribute warm air, switch on the desired heating level.
⇒ At high room temperatures you can use the device to distribute cold air. To do so, switch off the heating levels.

Programming the timer (TCH 22 E only)

The timer has a 24-hour format. You can use it to determine time intervals during which the device shall be switched on.

The timer has a three-step control (12):

- Position 0: The device is switched off.
- Position I: Continuous operation.
- Centre position (clock symbol): The heating is switched on and off by the programmed timer.

To program the timer, proceed as follows:

1. Turn the timer (9) clockwise until the indicator (11) points to the current time.
 2. Slide the segments (10) for the time intervals during which the device shall be switched on outwards.
 3. Set the control (12) to centre position.
- ⇒ The timer is programmed.



Info

Please note that if the timer is activated, the device will switch on and run unattended. Take the necessary precautions. For instance, do not leave children unattended near the device.

Shutdown



Warning of electrical voltage

Do not touch the mains plug with wet or damp hands.

- Set all flip switches to **Off**. The lamps at the flip switches turn off.
- When using the optional timer: Set the timer control (12) to **0**.
- Hold onto the mains plug while pulling the power cable out of the mains socket.
- Allow the device to cool down completely.
- Clean the device according to the Maintenance chapter.
- Store the device according to the Storage chapter.

Errors and faults



Warning of electrical voltage

Tasks which require the housing to be opened must only be carried out by authorised specialist companies or by Trotec.

The device has been checked for proper functioning several times during production. If malfunctions occur nonetheless, check the device according to the following list.

The device does not start:

- Check the power connection.
- Check the power cable and mains plug for damages.
- Check the on-site fusing.
- Check the room temperature. The room thermostat may have switched off, because the desired room temperature has been reached.
- The room thermostat might be defective. Have a defective room thermostat replaced by a specialist electrical company.
- Check the timer (TCH 22 E only): If the control is set to **0** or if the current time has not been selected, the device will not start. Set the control to **I** (continuous operation).
- Check whether the overheating protection has tripped, see chapter Safety.
- Wait for 10 minutes before restarting the device. If the device is not starting, have the electricians checked by a specialist company or by Trotec.

The fan is not running (TCH 22 E only):

- Check whether the device is switched on.
- Check the power connection.
- Check the power cable and mains plug for damages.
- The fan motor might be defective. Have a defective fan motor replaced by a specialist electrical company.

The air current is reduced:

- Check the air inlet and outlet. Make sure that air inlet and outlet are not obstructed. Remove any dirt. Observe the minimum distance from walls or other objects according to the technical data.

Note

Wait for at least 3 minutes after maintenance and repair work. Only then switch the device back on.

Your device still does not operate correctly after these checks?

Please contact the customer service. If necessary, bring the device to an authorized specialist electrical company or to Trotec for repair.

Maintenance

Activities required before starting maintenance



Warning of electrical voltage

Do not touch the mains plug with wet or damp hands.

- Switch the device off.
- Hold onto the mains plug while pulling the power cable out of the mains socket.
- Allow the device to cool down completely.



Warning of electrical voltage

Tasks which require the housing to be opened must only be carried out by authorised specialist companies or by Trotec.

Cleaning the housing



Warning of electrical voltage

Never immerse the device in water!

Clean the housing with a soft, damp and lint-free cloth. Ensure that no moisture enters the housing. Protect electrical components from moisture. Do not use any aggressive cleaning agents such as cleaning sprays, solvents, alcohol-based or abrasive cleaners to dampen the cloth.

Wipe the housing dry after cleaning.

Technical annex

Technical data

Parameter	Value	
Model	TCH 20 E	TCH 22 E
Heating capacity		
level 1:	750 W	750 W
level 2:	1250 W	1250 W
level 3:	2000 W	2000 W
Power supply	230 V / 50 Hz	230 V / 50 Hz
Power consumption max.	2000 W	2000 W
Nominal current consumption	8,7 A	8,7 A
Fusing	10 A	10 A
Plug type	Schuko plug CEE 7/7	Schuko plug CEE 7/7
Cable length	1,2 m	1,2 m
Dimensions (depth x width x height)	200 x 520 x 380 mm	200 x 510 x 380 mm
Minimum distance to walls and other objects		
top (A):	50 cm	50 cm
rear (B):	50 cm	50 cm
sides (C):	50 cm	50 cm
front (D):	50 cm	50 cm
Weight	2.0 kg	2.5 kg

Information requirements for electrical local space heaters

Parameter	Value / item	
	TCH 20E	TCH 22E
Model	TCH 20E	TCH 22E
Heat output		
Nominal heat output P_{nom}	2 kW	2 kW
Minimum heat output (indicative) P_{min}	0.75 kW	0.75 kW
Maximum continuous heat output $P_{max,c}$	2 kW	2 kW
Auxiliary electricity consumption		
At nominal heat output $e_{l,max}$	NA	NA
At minimum heat output $e_{l,min}$	NA	NA
In standby mode $e_{l,sb}$	NA	NA
Type of heat input		
Manual heat charge control, with integrated thermostat	NA	NA
Manual heat charge control with room and/or outdoor temperature feedback	NA	NA
Electronic heat charge control with room and/or outdoor temperature feedback	NA	NA
Fan assisted heat output	NA	NA
Type of heat output/room temperature control		
Single stage heat output, no room temperature control	NO	NO
Two or more manual stages, no room temperature control	NO	NO
With mechanic thermostat room temperature control	YES	YES
With electronic room temperature control	NO	NO
With electronic room temperature control plus day timer	NO	YES
With electronic room temperature control plus week timer	NO	NO
Other control options		
Room temperature control, with presence detection	NO	NO
Room temperature control, with open window detection	NO	NO
With distance control option	NO	NO
With adaptive start control	NO	NO
With working time limitation	NO	YES
With black bulb sensor	NO	NO
Contact details	Trotec GmbH & Co. KG Grebbener Straße 7 D-52525 Heinsberg	

NA: not applicable

Disposal



The icon with the crossed-out waste bin on waste electrical or electronic equipment stipulates that this equipment must not be disposed of with the household waste at the end of its life. You will find collection points for free return of waste electrical and electronic equipment in your vicinity. The addresses can be obtained from your municipality or local administration. For further return options provided by us please refer to our website www.trotec24.com.

The separate collection of waste electrical and electronic equipment aims to enable the re-use, recycling and other forms of recovery of waste equipment as well as to prevent negative effects for the environment and human health caused by the disposal of hazardous substances potentially contained in the equipment.

Trotec GmbH & Co. KG

Grebener Str. 7
D-52525 Heinsberg

☎ +49 2452 962-400

☎ +49 2452 962-200

✉ info@trotec.com

www.trotec.com